

# HTG

LARGE HOUSING FOR THERMAL CAMERAS



## DESCRIPTION

This housing has been designed to fit thermal cameras with large lenses for vision even in total darkness, fog, rain and smoke, or for long distances.

It can be used for a wide range of day/night surveillance systems, such as monitoring and rescue in the event of a fire, public safety or airport, industrial and environmental surveillance.

The opening system allows an easy access for installation and servicing.

It can be installed with cable sheaths, instead of regular cable glands using the junction box for the wiring harness.

## MAIN FEATURES

Germanium window

IP66/IP67

Integrated heater

Available accessories: camera power supply

## TECHNICAL DATA

### GENERAL

Die-cast aluminium back and front cover plates

Extruded aluminium body and external slide

Epoxy polyester powder painting, RAL9002 colour

Stainless steel external screws

### MECHANICAL

Internal usable area (WxH): 134x88mm (5.1x3.5in)

Internal usable length (with or without accessories): 273mm (10.7in)

Cable glands: 3xM16

Unit weight: 4.1kg (9lb)

### HOUSING'S WINDOW

Germanium window

- Usable diameter: 55mm (2.1in)
- Thick: 2mm (0.08in)
- External treatment: antiscratch (Hard Carbon Coating - DLC), antireflection
- Internal treatment: antireflection
- Spectral range: from 7.5µm up to 14µm
- Medium transmittance (from 7.5µm up to 11.5µm): 90%
- Medium transmittance (from 11.5µm up to 14µm): 77%

### ELECTRICAL

Supply voltage/Current consumption (version with heater, Ton 15°C±3°C (59°F±5°F), Toff 22°C±3°C (72°F±5°F)):

- 12Vdc, 1.6A max
- 24Vac, 0.85A max, 50/60Hz
- 120Vac, 0.35A max, 50/60Hz
- 230Vac, 0.18A max, 50/60Hz

Camera power supply

- IN from 100Vac up to 240Vac, 50/60Hz - OUT 12Vdc, 1.25A
- IN 230Vac, 50Hz - OUT 24Vac, 50Hz, 400mA

### ENVIRONMENT

For installation indoors and outdoors

Operating temperature with heating: from -20°C (-4°F) up to +60°C (140°F)

### CERTIFICATIONS

Electrical safety (CE): EN60065

Electromagnetic compatibility (CE): EN50130-4, EN61000-6-3

IP protection degree: EN60529 (IP66/IP67, with cable glands)

EAC certification

## ACCESSORIES

OHEPS19B	Wide range camera power supply IN 100-240Vac - OUT 12Vdc, 1.25A, for VERSO, VERSO POLAR, VERSO COMPACT, HEG, HTG housings
OHEPS20	Camera power supply IN 230Vac - OUT 24Vac, 10VA, for VERSO, VERSO POLAR, VERSO COMPACT, HEG, HTG housings
OHEGBPS1B	Wide range camera power supply IN 100-240Vac - OUT 12Vdc, 1.25A, in weatherproof box, for VERSO, VERSO POLAR, HEG, HTG housings
OHEGBPS2B	Camera power supply IN 230Vac - OUT 24Vac in weatherproof box, 10VA, for VERSO, VERSO POLAR, HEG, HTG housings
OHEGBB	Weatherproof junction box

## BRACKETS AND ADAPTORS

WBJA	Wall mount bracket
WCMSA	Ceiling bracket with ball joint
WFWCA	Column bracket with joint

## SPARE PARTS

OHEH24B	Heater 120/230Vac for HEG, HTG housings
OHEH25B	Heater 12Vdc/24Vac for HEG, HTG housings
DOTHE01	Spacers for camera and lens
OHEGNMAN	Cable glands, gaskets and screws
OHEGFPN04	Back cover with cable glands, gaskets and screws
OHTGFA	Front cover with germanium window

## PACKAGE

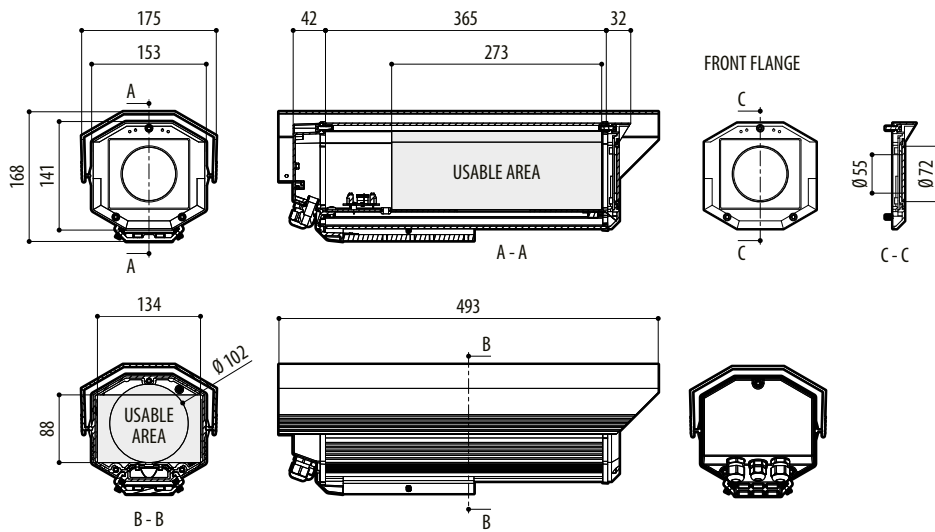
Model Number	Weight	Dimensions (WxHxL)	Master carton
HTG37K1A000	4.5kg (9.9lb)	19.5x20x52.5cm (7.7x7.9x20.7in)	-

## AVAILABLE MODELS

Model Number	Housing sunshield	Power supply 120/230Vac	Power supply 24Vac	Ø germanium window
HTG37K1A000	✓	✓	–	55mm (2.1in)
HTG37K2A000	✓	–	✓	55mm (2.1in)

## TECHNICAL DRAWINGS

The dimensions of the drawings are in millimetres.



HTG